

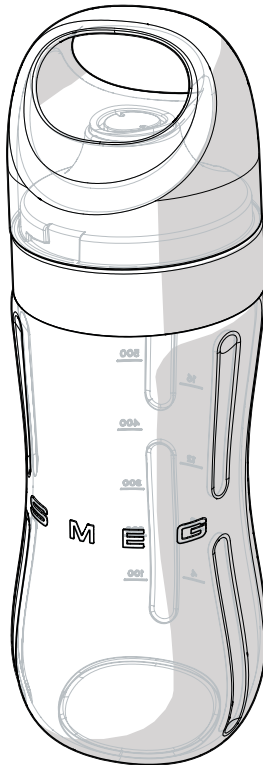
Dear Customer,

Thank you for purchasing the “Bottle to go” accessory for Smeg’s 50’s Style blender. By choosing one of our products, you have selected an appliance which combines iconic style with innovative technical design and attention to detail.

This appliance coordinates perfectly with other Smeg products, or works equally great as a standalone statement piece in your kitchen.

We hope you enjoy using your new appliance!

For any further information please visit: www.smeg.com or www.smegusa.com (website valid only for the USA, Canada and South America).



Model BGF01
“Bottle to go” accessory

Contents

1 Instructions	21
1.1 Introduction	21
1.2 This user manual	21
1.3 Intended use	21
1.4 Manufacturer liability	22
1.5 Disposal	22
2 Description	23
2.1 Product description	23
3 Use	24
3.1 Before first use	25
3.2 How to use the "Bottle to go" accessory	25
4 Cleaning and care	29
4.1 Instructions	29
4.2 Cleaning the motor base	29
4.3 Cleaning the accessory and blade assembly	29
4.4 Using the Self-clean option	30

EN

Important Safeguards

WARNING: If the instructions contained in this manual are not followed precisely, fire or explosion may result causing property damage, personal injury or death.



READ AND SAVE THESE INSTRUCTIONS - Your safety and the safety of others are very important.

We have provided many important safety messages throughout this manual and on the appliance.

Read all the instructions before using the appliance and always obey all safety messages.



Important Safeguards



RECOGNIZE SAFETY INFORMATION

This is a safety alert symbol. This symbol alerts you to potential hazards that can result in severe personal injury or death.

UNDERSTAND SIGNAL WORDS

A signal word - DANGER, WARNING or CAUTION - is used with the safety alert symbol. DANGER denotes the most serious hazards. It means you could be killed or seriously injured if you do not immediately follow the instructions. WARNING means you could be killed or seriously injured if the instructions are not followed. CAUTION indicates a potentially hazardous situation, which, if not avoided, could result in minor to moderate injury.

WARNING



- This appliance is intended for use in the home only.
- Use this appliance only for its intended purpose. The manufacturer cannot be held liable for damage caused by improper use of this appliance.
- This appliance complies with current safety regulations. Improper use of this appliance can result in personal injury and material damage.
- Read all the instructions before installing or using the appliance for the first time.
- Keep these operating instructions in a safe place and pass them on to any future user.

The safety messages will inform you of potential hazards, on how to avoid the risk of injury and what can occur if the instructions are not followed.

IMPORTANT: Observe all codes and ordinances in force.

WARNING: For your safety, the instructions contained in this manual must be followed to minimize the risk of fire or explosion and to prevent property damage, personal injury or death.

Do not store or use gasoline or other flammable vapors, liquids or materials near this or any other appliance.



NOTE: This appliance is NOT designed for installation in manufactured (mobile) homes or in recreational vehicles (RVs).

DO NOT install this appliance outdoors.

Important Safeguards



WARNING



To reduce the risk of fire, electrical shock, personal injury, or damage when using the appliance, follow basic safety precautions, including the following:

The “Bottle to go” accessory is an accessory of the **BLF01** blender.

Follow all safety instructions in order to use the accessory safely.

- Before using the appliance, read both this manual and the manual supplied with the **BLF01** blender carefully.
- Switch off the appliance immediately after use.
- Do not leave the appliance unattended while it is operating.
- Disconnect the appliance from the power socket as soon as you have finished using it and before cleaning it.
- Do not immerse the appliance, the power cord or the plug in water or any other liquid.
- Do not use the appliance when the power cord or the plug is damaged or when the appliance has been dropped or is damaged in any manner. Return appliance to the nearest authorized service center for examination, repair or adjustment.
- If the power supply cable is damaged, contact technical support immediately to arrange replacement in order to avoid any hazards.
- The cable is short to prevent accidents. Do not use an extension cord.
- Ensure the cord does not come into contact with sharp edges.
- Do not pull on the cord to unplug it from the power socket.
- Do not place the appliance above or near lit hob burners or electric rings, inside an oven or near other heat sources.
- This appliance can be used by children aged from 8 years and above if they have been given supervision or instruction concerning use of the appliance in a safe way and if they understand the hazards involved.
- Cleaning and user maintenance shall not be made by children unless they are aged from 8 years and above and supervised.
- Children must never play with the appliance. Keep the appliance out of children's reach.



Important Safeguards

For this appliance and the accessory

- Do not touch moving parts while the appliance is operating. Keep hands, hair and clothing, and utensils away from the blades during operation, to prevent personal injury and/or damage to the appliance.
- Always disconnect the blender from the supply if it is left unattended and before assembly, disassembly or cleaning. Unplug the blender when it is not being used, before cleaning it and if you notice any fault. Let the appliance cool down before cleaning.
- Check that the accessory and the blade assembly are fixed correctly.
- Do not overfill the accessory (maximum 600 ml/ 2 ½ cups).
- Do not use the blender with parts or accessories of other manufacturers.
- Only use original spare parts. The use of spare parts not approved by the manufacturer could lead to fires, electric shocks or personal injury.
- Sharp blades: Danger of cuts! Never touch the blades with your hands. Take great care when installing and removing the blade assembly.
- Only place the blender on level and dry surfaces.
- Do not operate the blender without the jug or the "Bottle to go" accessory.
- Let hot liquids cool down to room temperature before pouring them into the accessory.
- Avoid touching moving parts, such as the blade assembly.
- To reduce the risk of injury, ensure the accessory does not get damaged and never insert hands or utensils when it is running. You can use a wood or plastic spatula only when the blender is off.
- Do not use harsh detergents or sharp scrapers when washing or removing residue from the accessory.

SAVE THESE INSTRUCTIONS

Important Safeguards



1 Instructions

1.1 Introduction

Key information for the user:

Instructions



General information on this user manual, on safety and final disposal.

Description



Description of the appliance and the accessory.

Use



Information on the use of the appliance and the accessory.

Cleaning and care



Information for proper cleaning and maintenance of the appliance and the accessory.



Safety instructions



Information



Advice

1.2 This user manual

This user manual is an integral part of the accessory and must therefore be kept in its entirety and in an accessible place for the whole working life of the accessory.

1.3 Intended use

- The “Bottle to go” accessory can be used indoors and outdoors.
- The “Bottle to go” accessory can only be used together with the **BLF01** blender. The accessory can be used to blend, mix and emulsify various ingredients for preparing drinks, juices and smoothies to be enjoyed indoors or out.
- Do not use the accessory for anything other than its intended use.
- This accessory may not be used by people of reduced physical and mental capacity, or without sufficient experience and knowledge (including children), unless they are supervised or instructed by adults who are responsible for their safety.



Important Safeguards

1.4 Manufacturer liability

The manufacturer shall not be liable for injuries or property damage caused by:

- Use of the appliance other than as envisaged
- Not having read the user manual
- Tampering with any part of the appliance
- Use of non-original spare parts
- Failure to observe the safety instructions

1.5 Disposal



This appliance must be disposed of separately from other refuse (Directive 2012/19/EU). The

appliance does not contain substances in quantities sufficient to be considered hazardous to health and the environment, in accordance with current European directives.



Electrical voltage Danger of electrocution

- Disconnect the main power supply.
- Disconnect the power cable from the electrical system.

- **Old appliances do not belong in household waste!** To comply with current legislation, old appliances, on reaching the end of their useful lives, should be taken to a disposal facility where they can be sorted. In this way, any valuable material contained in the old appliances can be recycled, helping to protect the environment. The relevant local authorities or their waste disposal operators can provide further information.

Our appliances are packed in non-polluting and recyclable materials.

- Dispose of the packing materials at an appropriate disposal facility.



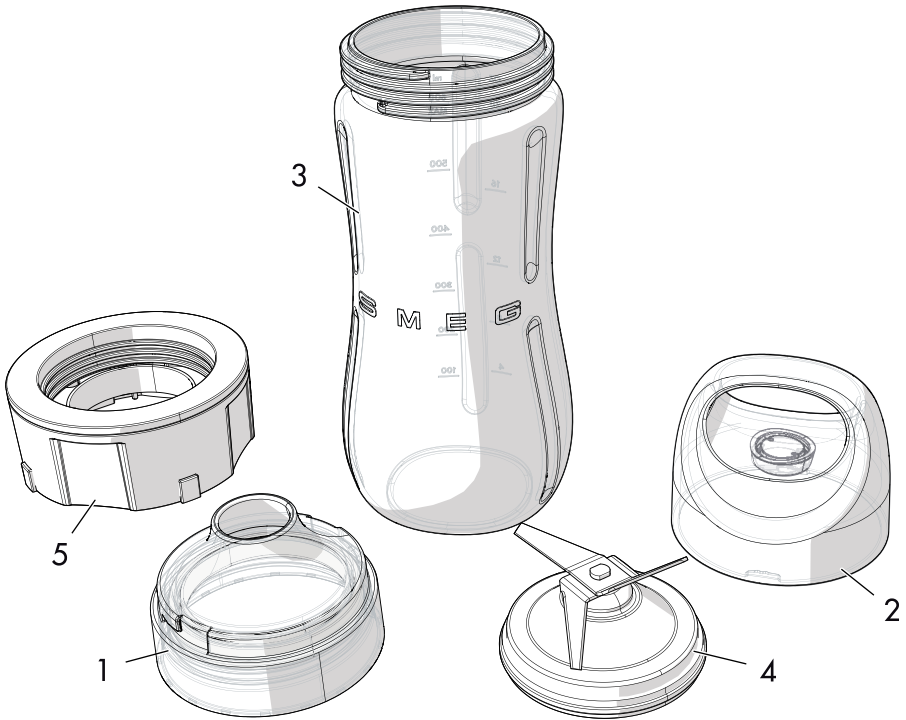
Plastic packaging Danger of suffocation

- Do not leave the packaging or any part of it unattended.
- Do not let children play with the plastic bags.



2 Description

2.1 Product description



Model BGF01 - "Bottle to go" Accessory

- 1 BPA-free Tritan™ cap with spout
- 2 Cover with silicone seal
- 3 BPA-free Tritan™ bottle
(max. 600 ml/2 ½ cups)
- 4 Removable stainless-steel blade assembly
- 5 Blade assembly support



3 Use



Electrical Shock Hazard

- Plug into a grounded 3-prong outlet.
- Do not remove the ground prong.
- Do not use an adapter.
- Do not use an extension cord.
- Failure to follow these instructions can result in death, fire, or electrical shock.

“Blender US version only”

Volts: 120 Volts AC only.

Hertz: 60 Hz



Your blender has a 3-prong grounded plug. To reduce the risk of electrical shock, this plug will fit into an outlet only one way. If the plug does not fit in the outlet, contact a qualified electrician. Do not modify the plug in any way.

If a longer detachable power supply cord or extension cord is used:

- The marked electrical rating of the power supply cord or extension cord should be at least as great as the electrical rating of the appliance.
- The cord should be arranged so that it will not hang over the countertop or tabletop where it can be pulled on by children or tripped over unintentionally.
- If the appliance is of the grounded type, the extension cord should be a grounded 3-prong type cord.

- Do not use an extension cord. If the power supply cord is too short, have a qualified electrician or service technician install an outlet near the appliance.
- A short power supply cord (or detachable power supply cord) should be used to reduce the risk resulting from becoming entangled in or tripping over a longer cord.
- Longer detachable power supply cords or extension cords are available and may be used if care is taken when using them.



3.1 Before first use

1. Remove any labels from the blender and accessory.
2. Clean the motor base using a damp cloth.
3. Wash the bottle with hot water and washing-up liquid or in the dishwasher, after removing the blade assembly.
4. Dry thoroughly.



Danger of sudden start-up

- Make sure the blender is unplugged before fitting or removing the blade assembly.



To avoid damage to the blender, the appliance is equipped with a **safety lock system** which shuts off its operation when the jug is removed. It also features a **motor safety cut-out** which trips if the motor is overloaded.

3.2 How to use the “Bottle to go” accessory

1. Prepare the ingredients and put them into the bottle.



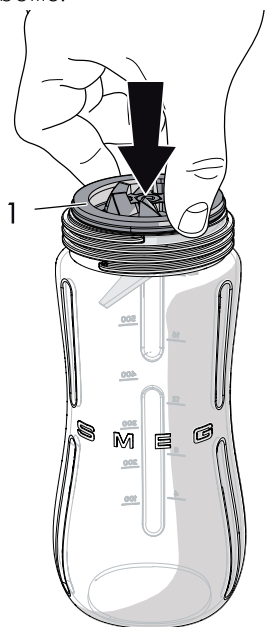
Warning

- Ensure that the quantity of liquid ingredients does not exceed 400 ml/1 ¾ cup.
- Do not exceed the maximum capacity of 600 ml/2½ cups.

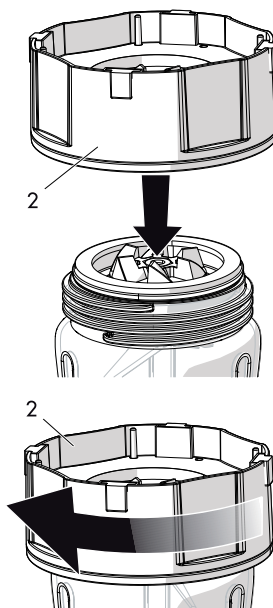


Use

2. Rest the blade assembly (1) on the mouth of the bottle.



3. Screw the blade assembly support (2) onto the bottle.



Sharp blades

Danger of cuts

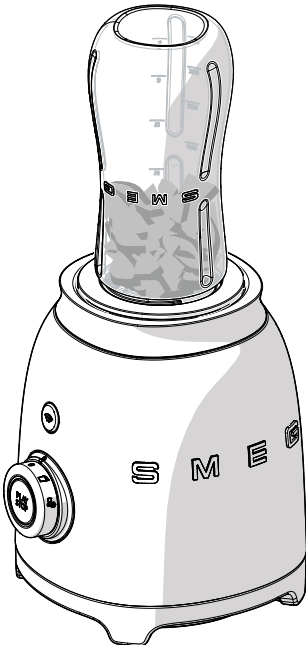
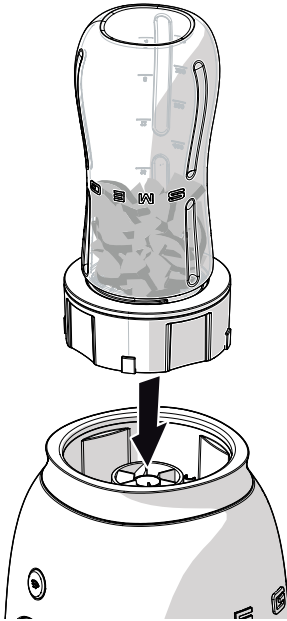
- Never touch the blades with your hands.
- Take great care when installing and removing the blade assembly.



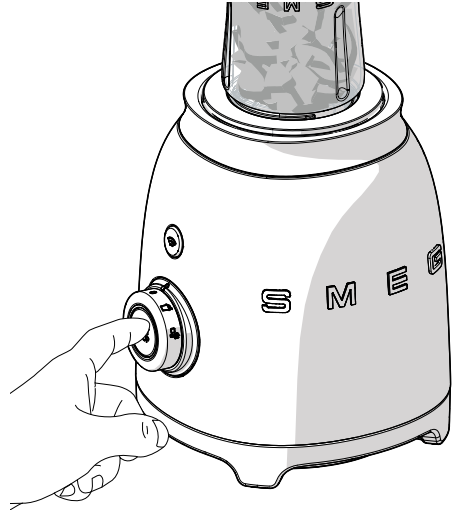
The accessories intended to come into contact with food are made of materials that comply with the provisions of current legislation.



4. Turn the bottle over and connect it to the base of the blender.



5. Select one of the four available speeds (1 to 4) or one of the two preset programs (Pulse or Smoothie) and operate the blender to prepare the beverage.



Risk of damage to the accessory

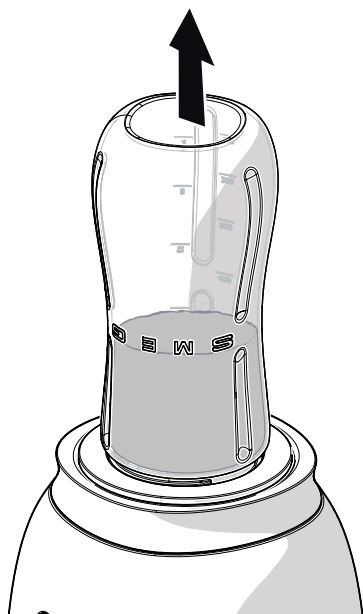
- The Ice Crush programme cannot be used with the "Bottle to go" accessory.
- If you wish to add ice, crush it in the blender jug, then add this to the bottle.

For further information on which speed to set, see section "3.5 Speed setting suggestions" in the **BLF01** blender manual.

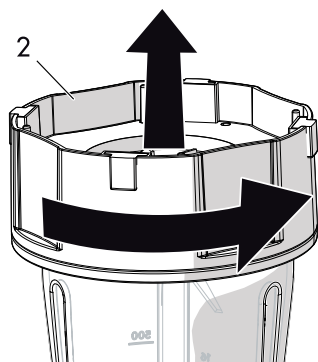


Use

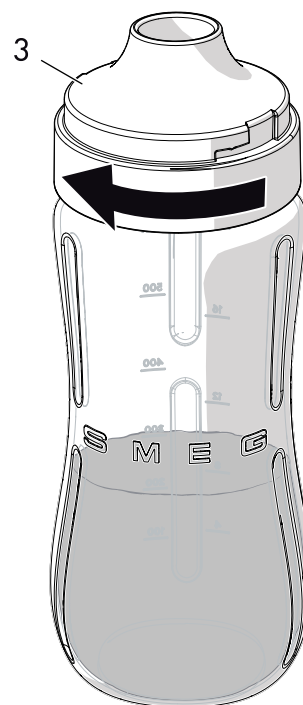
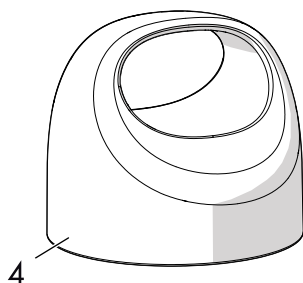
6. Remove the bottle from the blender base by pushing upwards.



7. Remove the blade assembly support and blade assembly (2).



8. Screw the cap (3) onto the bottle and put the cover on (4).





4 Cleaning and care

4.1 Instructions



Improper use Danger of electrocution

- Unplug the blender before cleaning it.
- Do not immerse the motor base in water or other liquids.



Improper use Risk of damage to surfaces

- Do not use steam jets to clean the appliance and accessory.
- Do not use cleaning products containing chlorine, ammonia or bleach on parts with metallic finishes (e.g. anodised, nickel- or chrome-plated).
- Do not use abrasive or corrosive detergents (e.g. powder products, stain removers and metallic scourers).
- Do not use rough or abrasive materials or sharp metal scrapers.

4.2 Cleaning the motor base

To keep the outer surface of the blender motor base in good condition, it should be cleaned regularly after use. Let the appliance cool down first. Use a damp and soft cloth with mild detergent.

4.3 Cleaning the accessory and blade assembly

The “Bottle to go” accessory and its dedicated blade assembly can be washed by hand using hot water and washing-up liquid.

The “Bottle to go” accessory can also be washed in the dishwasher, after removing the blade assembly.



Sharp blades Danger of cuts

- Never touch the blades with your hands.
- Take great care when removing and handling the blade assembly.



4.4 Using the Self-clean option

The “Bottle to go” accessory and the blade assembly can be cleaned using the automatic cleaning option:

1. Fill the bottle with hot water and washing-up liquid.
2. Turn the control knob to the setting **1**.
3. Press the **START** button.
4. Press the **PULSE** button for 2 seconds at a time. Repeat the operation about 10 times.
5. Remove the bottle, drain and rinse.
6. Dry thoroughly.



In the event of malfunctions, refer to the table in section “4.6 What to do if...” in the **BLFO1** blender manual.

